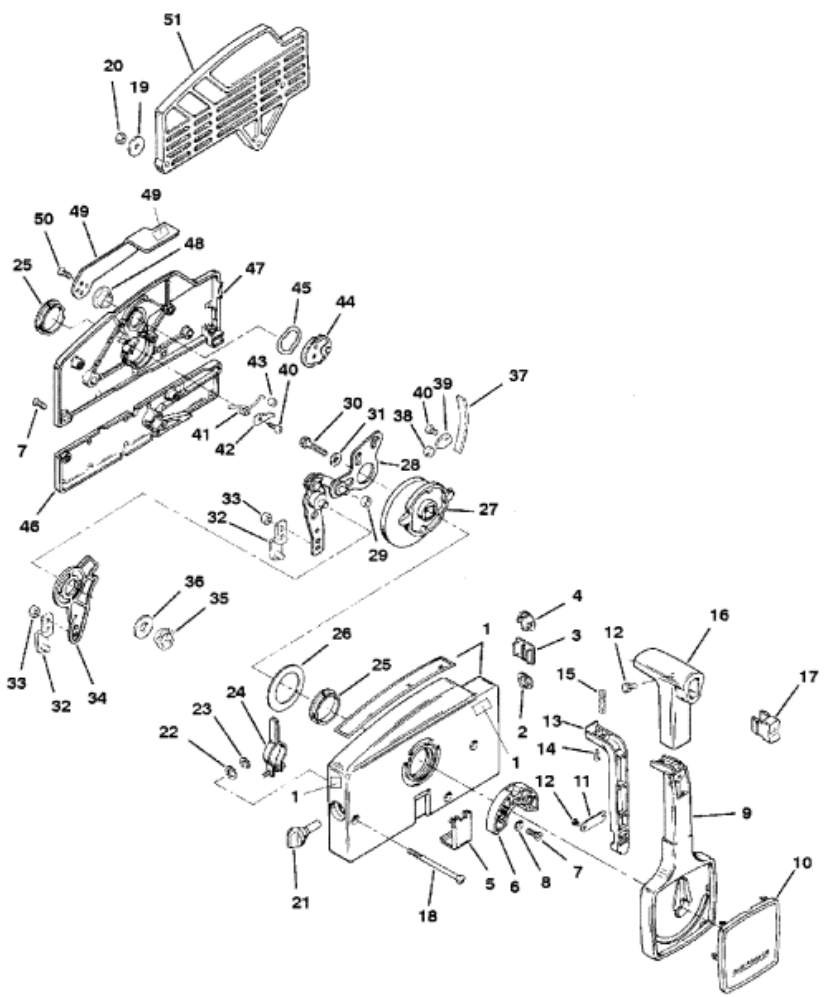


Parts List						
Ref	Class	Part	Description	Qty	Comment	Footnote
-		16908A	1 REMOTE CONTROL	1	(Manual Start)	
1		16910A	1 HOUSING KIT, Front, With Deca	1		
2	19	89774	1 PLUG	1		
3		17192	1 PLUG, Stop Switch Hole	1		
4		17191	1 PLUG, Wire Harness Hole	1		
5		16917	1 COVER	1		
6		16899	1 HOLDER, Neutral Lock	1		
7	10	40118107	7 SCREW, (M5 x 18)	7		
8	13	16923	2 LOCKWASHER, External	2		
9		16913T	1 HAND LEVER	1		
10		16916A	1 CAP ASSEMBLY, With Decal	1		
11		16921	1 BRACKET, Lock Bar Support	1		
12	10	40056 85	2 SCREW, (M4 x 10)	2		
13		16915	1 LOCK ARM	1		
14	10	40056105	1 SCREW, (M5 x 10)	1		
15	24	16924	1 SPRING	1		
16		16914	1 GRIP	1		
17		17016	1 PLUG	1		
18	10	40116110	3 SCREW, (M6 x 110)	3		
19	12	35280	3 WASHER, (.255 x .620 x .030)	3		
20	11	40119 6	3 NUT, (M6)	3		
21		16920	1 BRAKE ADJUSTER	1		
22	12	16896	1 WASHER	1		
23	53	13194	1 RING, Retaining	1		
24		16895	1 ARM ASSEMBLY, Brake	1		
25	23	16875	2 BEARING (1.750 ID)	2		
26	12	16874	1 WASHER	1		
27		16892T	1 DRIVE GEAR	1		
28		850724A	2 PLATE/STUD ASSEMBLY	1		
29		16873	1 ROLLER, Cam	1		
30	10	40071 54	1 SCREW, (M8 x 30)	1		
31	12	12038	1 WASHER	1		
32	54	85899A	1 CLIP ASSEMBLY	2		
33	11	40138 6	2 NUT, (M6)	2		
34		16918A	1 GEAR SHIFT ASSEMBLY	1		
35	23	16868	1 BEARING (.750 ID)	1		
36	12	16870	1 WASHER	1		
37	24	16882	5 SPRING	5		
38		16879	1 ROLLER, Detent	1		
39		16880	1 CLIP	1		
40	10	40056 82	2 SCREW, (M4 x 6)	2		



8143